

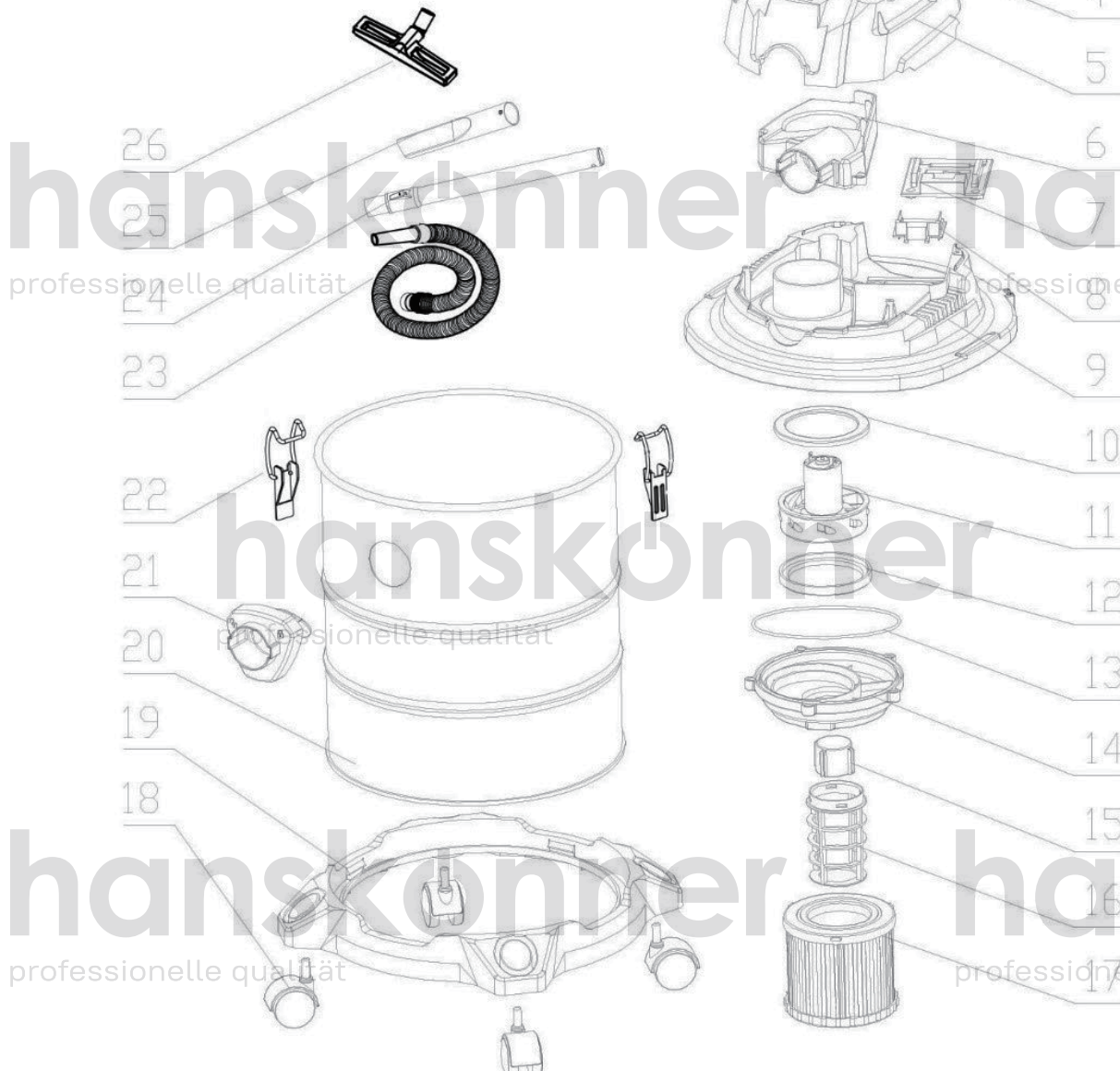
# hanskonner

professionelle qualität

# hanskonner

professionelle qualität

## HBVC1820



NO.	DESCRIPTION
1	Handle cover
2	Fixed handle
3	Battery cover
4	Switch
5	Top cover
6	Motor top cover
7	Battery platform
8	Battery connector
9	Barrel cap
10	Motor top seal ring
11	Motor
12	Motor bottom seal ring
13	Motor cover seal
14	Motor base
15	Safety valve
16	Bracket
17	HEPA filter
18	Universal wheel
19	Base
20	S/S tank
21	Suction mouth
22	Metal clips
23	Plastic hose
24	Metal telescopic tube
25	Crevice nozzle
26	Floor brush

HBVC1820-EX-20221008